



DK 0606 B



- Cable junction box for normal environment and protected outdoor
- with copper branch terminal
- Dimensions H x W x D: 130 x 130 x 77 mm
- With elastic membranes, which can be removed for cable entry via cable glands

ELECTRICAL PROPERTIES

Rated insulation voltage: $U_i = 690 \text{ V}$
 Rated current: $I_n = 40 \text{ A}$

CONNECTION DATA

Terminal cross-section:

Maximum number of conductors clamping units each	Conductor cross-section min.	Conductor cross-section max.	Conductor cross section	Conductor type	Conductor material
3	1.5 mm ²	1.5 mm ²	solid, stranded, flexible	round	Cu
2	2.5 mm ²	6 mm ²	solid, stranded, flexible	round	Cu
1	10 mm ²	10 mm ²	solid, stranded, flexible	round	Cu

Number of clamping units per pole: 2
 Connection type: Screw connection
 Ferrule required for flexible conductors: No
 Dismantling length: 12 mm
 Tightening torque of the terminal: 1.5 Nm

CABLE ENTRIES

Cable entries:

Number of cable entries	Type of cable entry	Size of the metric knock-outs	Sealing range of the cable entry	Location of cable entry
7	elastic membranes	M25, M32	9 mm - 21 mm	wall
1	elastic membranes	without	9 mm - 20 mm	bottom

MECHANICAL PROPERTIES

Type of lid fastening:	Quick locking: Opening and closing by quarter turn, locked position well visible (open - locked)
Delivered accessories:	External brackets, retaining strap, sealing plug
IP degree of protection:	IP66
Impact strength:	IK07
Sealable without accessories:	Yes

AMBIENT CONDITIONS

Application area:	Indoor installation
Maximum ambient temperature 24 h:	35 °C
Ambient temperature:	-25 °C up to +40 °C
Relative humidity:	≤ 50 % at 40 °C, ≤ 100 % at 25 °C

MATERIAL PROPERTIES

Material:	Polypropylene
Glow wire test according to IEC 60695-2-11:	750 °C
UL 94:	V-2
Temperature resistance:	-25 °C up to +80 °C
Halogen-free:	Yes
Silicone-free:	Yes

DIMENSIONS

Height:	130 mm
Width:	130 mm
Depth:	77 mm
Net weight:	0.24 kg

CERTIFICATES

conforming to the standards: DIN EN 60670-1/-22, IEC 60670-1/-22

Certificates:

Type of certificate	Certificate number
VDE	40049684

SALES DATA

Product number:	62000300
EAN:	4012591134435
Pack unit:	5
Customs tariff number:	85369010
ETIM class:	DYNAMIC: EC002600 - Box/housing for surface mounting on the wall/ceiling ETIM-8.0: EC002600 - Box/housing for surface mounting on the wall/ceiling ETIM-7.0: EC002600 - Box/housing for surface mounting on the wall/ceiling ETIM-6.0: EC002600 - Box/housing for surface mounting on the wall/ceiling ETIM-5.0: EC002600 - Box/housing for surface mounting on the wall/ceiling ETIM-4.0: EC002600 - Box/housing for surface mounting on the wall/ceiling

NOTE

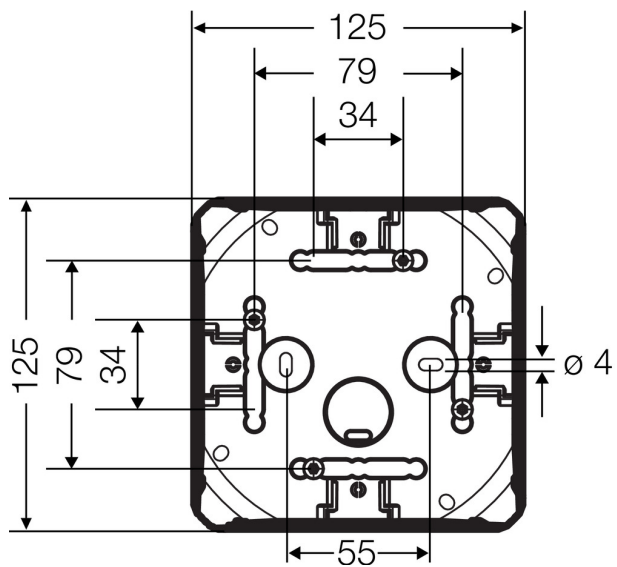
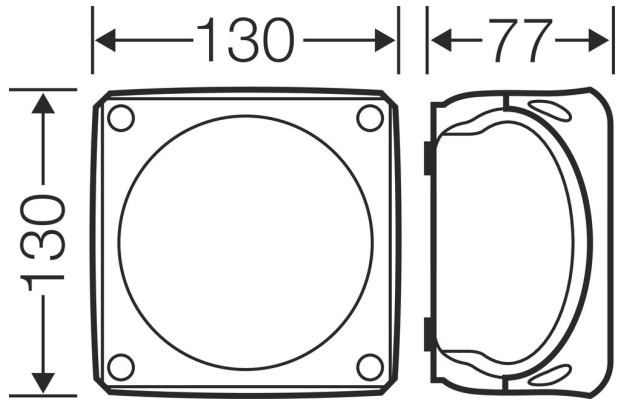
When using the sealing plugs supplied, the specified protection class is not changed.

TENDER TEXT

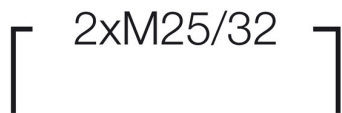
Cable junction boxes in accordance with IEC 60670-22 with built-in connecting terminal and removable elastic membranes. Suitable for indoor and protected outdoor installation in accordance with DIN VDE 0100, part 737. For ambient temperatures maximum value +40 °C and minimum value -25 °C, with relative

humidity of 50 % at +40 °C or 100 % at +25 °C. Material temperature resistance from -25 °C to +70 °C, burning behaviour according to IEC 60695-2-11 - glow wire test 750°C, UL Subject 94 V-2. Degree of protection in accordance with IEC 60529: IP 66. Rated insulation voltage: 690 V. Material: thermoplastics, halogen- and silicone-free. Colour: black, RAL 9011. Lid fastening with quick fasteners, sealable without accessories. Plug-in external brackets for wall mounting included. Make: HENSEL ENYCASE DK.

DRAWINGS



2x Ø9-21 mm



2x Ø9-21 mm 2x Ø9-21 mm
2xM25/32 2xM25/32

