

Bellows suction cup SI-HD (round)

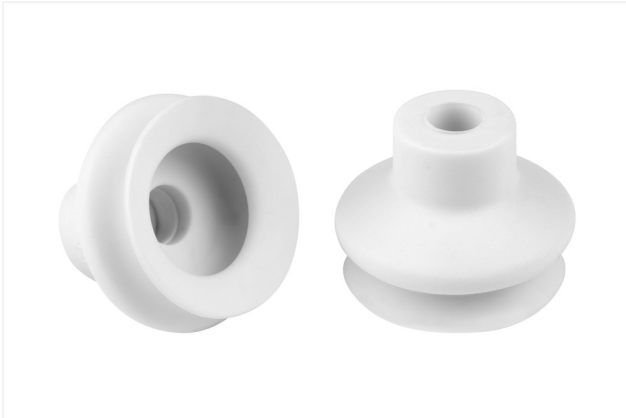
FGA 20 SI-HD-65 N016

Part no...:10.01.06.04150

<https://www.schmalz.com/10.01.06.04150>

Home > Vacuum Technology for Automation > Vacuum Components > Vacuum Suction Cups > Bellows Suction Cups (Round) > FGA 20 SI-HD-65 N016

Bellows suction cup (round) for wear-resistant Handling surfaces



Size: 20

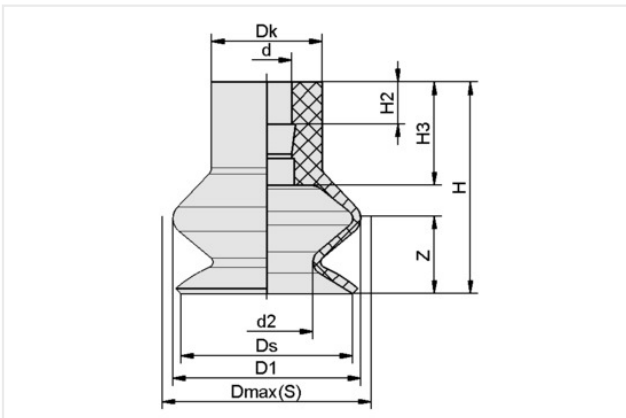
Suction cup material: Silicone SI-HD

Material hardness [Shore A]: 65 Shore A

Material characteristics: FDA-compatible

Number of folds: 1.5

Design Data



| Attribute | Value |
|------------|----------|
| d | 4.50 mm |
| d2 | 11 mm |
| D1 | 19.90 mm |
| Dk | 10 mm |
| Dmax(S) | 21 mm |
| Ds | 18.10 mm |
| H | 15.20 mm |
| H2 | 3.80 mm |
| H3 | 8.70 mm |
| Z (Stroke) | 4.40 mm |

Note: Acceptable dimensional tolerances for elastomer parts concerning to DIN ISO 3302-1 M3

Technical Data

| Attribute | Value |
|-----------------------------|----------------|
| Number of folds | 1.50 |
| Suction force | 4.70 N |
| Size | 20 |
| Suction cup material | Silicone SI-HD |
| Weight | 1.70 g |
| Curve radius (min) (convex) | 8.50 mm |
| Product family | FGA |

Contact Schmalz

J. Schmalz GmbH | Johannes-Schmalz-Str.1, 72293 Glatten, Germany | +49 7443 2403-102 | customercenter@schmalz.de

Bellows suction cup SI-HD (round)

FGA 20 SI-HD-65 N016

Part no...:10.01.06.04150

<https://www.schmalz.com/10.01.06.04150>

Accessories



SA-NIP N016 G1/8-IG DN350

Part no...:10.01.06.05731

Nipple family: N 016

Thread G1: G1/8"-F

Length L1: 18.5 mm

Fitting length: 12 mm

Nominal diameter dn: 3.5 mm

Material: Aluminum



SA-NIP N016 G1/8-AG DN350

Part no...:10.01.06.05735

Nipple family: N 016

Thread G1: G1/8"-M

Length L1: 20 mm

Fitting length: 6 mm

Nominal diameter dn: 3.5 mm

Material: Aluminum



SA-NIP N016 M5-AG DN250

Part no...:10.01.06.00123

Nipple family: N 016

Thread G1: M5-M

Length L1: 16 mm

Fitting length: 5 mm

Nominal diameter dn: 2.5 mm

Material: Aluminum

Contact Schmalz

J. Schmalz GmbH | Johannes-Schmalz-Str.1, 72293 Glatten, Germany | +49 7443 2403-102 | customercenter@schmalz.de

Bellows suction cup SI-HD (round)

FGA 20 SI-HD-65 N016

Part no...:10.01.06.04150

<https://www.schmalz.com/10.01.06.04150>



SA-NIP N016 G1/8-AG DN310

Part no...:10.01.06.04062

Nipple family: N 016

Thread G1: G1/8"-M

Length L1: 20 mm

Fitting length: 6 mm

Nominal diameter dn: 3.1 mm

Spanner size SW2: 3 mm

Material: Austenitic stainless steel



SA-NIP N016 M5-AG DN250

Part no...:10.01.06.04365

Nipple family: N 016

Thread G1: M5-M

Length L1: 16 mm

Fitting length: 5 mm

Nominal diameter dn: 2.5 mm

Spanner size SW2: 3 mm

Material: Austenitic stainless steel



SA-NIP N016 M5-IG DN310

Part no...:10.01.06.04689

Nipple family: N 016

Thread G1: M5-F

Length L1: 16 mm

Fitting length: 10 mm

Nominal diameter dn: 3.1 mm

Spanner size SW2: 3 mm

Material: Austenitic stainless steel

Bellows suction cup SI-HD (round)

FGA 20 SI-HD-65 N016

Part no...:10.01.06.04150

<https://www.schmalz.com/10.01.06.04150>



SA-NIP N016 G1/8-IG DN310

Part no...:10.01.06.04690

Nipple family: N 016

Thread G1: G1/8"-F

Length L1: 18.5 mm

Fitting length: 12 mm

Nominal diameter dn: 3.1 mm

Material: Austenitic stainless steel