

## Bellows suction cup SI-HD (round)

FGA 14 SI-HD-65 N016

Part no...:10.01.06.03143

<https://www.schmalz.com/10.01.06.03143>

Home > Vacuum Technology for Automation > Vacuum Components > Vacuum Suction Cups > Bellows Suction Cups (Round) > FGA 14 SI-HD-65 N016

### Bellows suction cup (round) for wear-resistant Handling surfaces



Size: 14

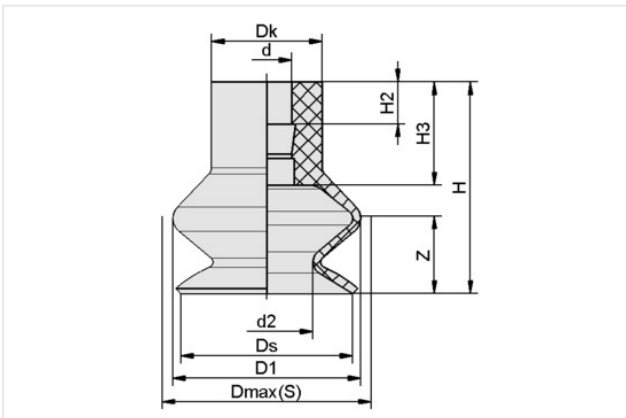
Suction cup material: Silicone SI-HD

Material hardness [Shore A]: 65 Shore A

Material characteristics: FDA-compatible

Number of folds: 1.5

### Design Data



Attribute	Value
d	4.50 mm
d2	5 mm
D1	13.70 mm
Dk	10 mm
Dmax(S)	14.50 mm
Ds	12.50 mm
H	15.50 mm
H2	3.80 mm
H3	8.50 mm
Z (Stroke)	5 mm

Note: Acceptable dimensional tolerances for elastomer parts concerning to DIN ISO 3302-1 M3

### Technical Data

Attribute	Value
Number of folds	1.50
Suction force	1.20 N
Size	14
Suction cup material	Silicone SI-HD
Weight	1 g
Curve radius (min) (convex)	12.50 mm
Product family	FGA

### Contact Schmalz

J. Schmalz GmbH | Johannes-Schmalz-Str.1, 72293 Glatten, Germany | +49 7443 2403-102 | [customercenter@schmalz.de](mailto:customercenter@schmalz.de)

## Bellows suction cup SI-HD (round)

FGA 14 SI-HD-65 N016

Part no...:10.01.06.03143

<https://www.schmalz.com/10.01.06.03143>

### Accessories



#### SA-NIP N016 G1/8-AG DN350

Part no...:10.01.06.05735

Nipple family: N 016

Thread G1: G1/8"-M

Length L1: 20 mm

Fitting length: 6 mm

Nominal diameter dn: 3.5 mm

Material: Aluminum



#### SA-NIP N016 G1/8-IG DN350

Part no...:10.01.06.05731

Nipple family: N 016

Thread G1: G1/8"-F

Length L1: 18.5 mm

Fitting length: 12 mm

Nominal diameter dn: 3.5 mm

Material: Aluminum



#### SA-NIP N016 M5-AG DN250

Part no...:10.01.06.00123

Nipple family: N 016

Thread G1: M5-M

Length L1: 16 mm

Fitting length: 5 mm

Nominal diameter dn: 2.5 mm

Material: Aluminum

### Contact Schmalz

J. Schmalz GmbH | Johannes-Schmalz-Str.1, 72293 Glatten, Germany | +49 7443 2403-102 | [customercenter@schmalz.de](mailto:customercenter@schmalz.de)

## Bellows suction cup SI-HD (round)

FGA 14 SI-HD-65 N016

Part no...:10.01.06.03143

<https://www.schmalz.com/10.01.06.03143>



### SA-NIP N016 G1/8-AG DN310

Part no...:10.01.06.04062

Nipple family: N 016

Thread G1: G1/8"-M

Length L1: 20 mm

Fitting length: 6 mm

Nominal diameter dn: 3.1 mm

Spanner size SW2: 3 mm

Material: Austenitic stainless steel



### SA-NIP N016 M5-AG DN250

Part no...:10.01.06.04365

Nipple family: N 016

Thread G1: M5-M

Length L1: 16 mm

Fitting length: 5 mm

Nominal diameter dn: 2.5 mm

Spanner size SW2: 3 mm

Material: Austenitic stainless steel



### SA-NIP N016 M5-IG DN310

Part no...:10.01.06.04689

Nipple family: N 016

Thread G1: M5-F

Length L1: 16 mm

Fitting length: 10 mm

Nominal diameter dn: 3.1 mm

Spanner size SW2: 3 mm

Material: Austenitic stainless steel

## Bellows suction cup SI-HD (round)

FGA 14 SI-HD-65 N016

Part no...:10.01.06.03143

<https://www.schmalz.com/10.01.06.03143>



### SA-NIP N016 G1/8-IG DN310

Part no...:10.01.06.04690

Nipple family: N 016

Thread G1: G1/8"-F

Length L1: 18.5 mm

Fitting length: 12 mm

Nominal diameter dn: 3.1 mm

Material: Austenitic stainless steel