

Bellows suction cup SI-HD (round)

FGA 16 SI-HD-65 N016

Part no...:10.01.06.02459

<https://www.schmalz.com/10.01.06.02459>

Home > Vacuum Technology for Automation > Vacuum Components > Vacuum Suction Cups > Suction Cups for the Packaging Industry > FGA 16 SI-HD-65 N016

Bellows suction cup (round) for wear-resistant Handling surfaces

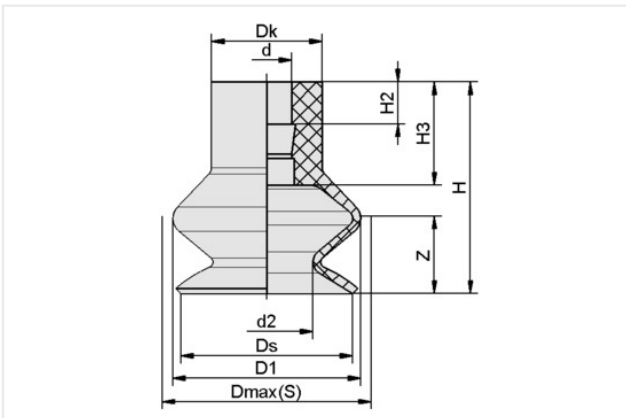


Size: 16

Suction cup material: Silicone SI-HD

Material hardness [Shore A]: 65 Shore A

Design Data



Attribute	Value
d	4.50 mm
d2	8.40 mm
D1	17 mm
Dk	10 mm
Dmax(S)	18.50 mm
Ds	15.60 mm
H	19.20 mm
H2	3.80 mm
H3	9.40 mm
Z (Stroke)	6.70 mm

Note: Acceptable dimensional tolerances for elastomer parts concerning to DIN ISO 3302-1 M3

Technical Data

Attribute	Value
Suction force	2.30 N
Pull-off force	6.70 N
Volume	1.30 cm ³
Curve radius (min) (convex)	7 mm
Hose diameter (rec.) d	4 mm
Size	16
Nipple family	N 016

Contact Schmalz

J. Schmalz GmbH | Johannes-Schmalz-Str.1, 72293 Glatten, Germany | +49 7443 2403-102 | customercenter@schmalz.de

Bellows suction cup SI-HD (round)

FGA 16 SI-HD-65 N016

Part no...:10.01.06.02459

<https://www.schmalz.com/10.01.06.02459>

Number of folds	1.50
Suction cup material	Silicone SI-HD
Material hardness [Shore A]	65 Shore A
Weight	1.20 g
Product family	FGA

Accessories



SA-NIP N016 G1/8-AG DN350

Part no...:10.01.06.05735

Nipple family: N 016

Thread G1: G1/8"-M

Length L1: 20 mm

Fitting length: 6 mm

Nominal diameter dn: 3.5 mm

Material: Aluminum



SA-NIP N016 G1/8-IG DN350

Part no...:10.01.06.05731

Nipple family: N 016

Thread G1: G1/8"-F

Length L1: 18.5 mm

Fitting length: 12 mm

Nominal diameter dn: 3.5 mm

Material: Aluminum

Bellows suction cup SI-HD (round)

FGA 16 SI-HD-65 N016

Part no...:10.01.06.02459

<https://www.schmalz.com/10.01.06.02459>



SA-NIP N016 M5-AG DN250

Part no...:10.01.06.00123

Nipple family: N 016

Thread G1: M5-M

Length L1: 16 mm

Fitting length: 5 mm

Nominal diameter dn: 2.5 mm

Material: Aluminum



SA-NIP N016 G1/8-AG DN310

Part no...:10.01.06.04062

Nipple family: N 016

Thread G1: G1/8"-M

Length L1: 20 mm

Fitting length: 6 mm

Nominal diameter dn: 3.1 mm

Spanner size SW2: 3 mm

Material: Austenitic stainless steel



SA-NIP N016 M5-AG DN250

Part no...:10.01.06.04365

Nipple family: N 016

Thread G1: M5-M

Length L1: 16 mm

Fitting length: 5 mm

Nominal diameter dn: 2.5 mm

Spanner size SW2: 3 mm

Material: Austenitic stainless steel

Bellows suction cup SI-HD (round)

FGA 16 SI-HD-65 N016

Part no...:10.01.06.02459

<https://www.schmalz.com/10.01.06.02459>



SA-NIP N016 M5-IG DN310

Part no...:10.01.06.04689

Nipple family: N 016

Thread G1: M5-F

Length L1: 16 mm

Fitting length: 10 mm

Nominal diameter dn: 3.1 mm

Spanner size SW2: 3 mm

Material: Austenitic stainless steel



SA-NIP N016 G1/8-IG DN310

Part no...:10.01.06.04690

Nipple family: N 016

Thread G1: G1/8"-F

Length L1: 18.5 mm

Fitting length: 12 mm

Nominal diameter dn: 3.1 mm

Material: Austenitic stainless steel