

Bellows suction cup (round)

FGA 19 PVC-50 N056

Part no...:10.01.06.01975

<https://www.schmalz.com/10.01.06.01975>

Home > Vacuum Technology for Automation > Vacuum Components > Vacuum Suction Cups > Suction Cups for the Packaging Industry > Bellows Suction Cups FGA PVC (1.5 Folds) > FGA 19 PVC-50 N056

Bellows suction cup (round) with optimal adaptation to uneven surfaces



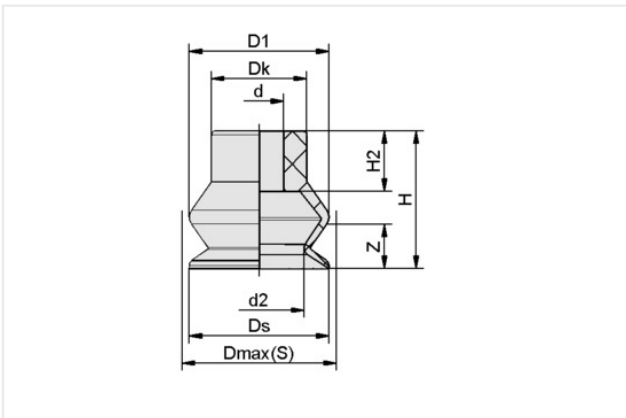
Size: 19

Suction cup material: Polyvinyl chloride PVC

Material hardness [Shore A]: 50 Shore A

Number of folds: 1.5

Design Data



Attribute	Value
d	6.60 mm
d2	12.20 mm
D1	19 mm
Dk	13 mm
Dmax(S)	21.50 mm
Ds	19 mm
H	18.70 mm
H2	8.20 mm
Z (Stroke)	6 mm

Note: Acceptable dimensional tolerances for elastomer parts concerning to DIN ISO 3302-1 M3

Technical Data

Attribute	Value
Suction force	5.90 N
Pull-off force	10 N
Volume	2.02 cm ³
Curve radius (min) (convex)	20 mm
Hose diameter (rec.) d	4 mm
Size	19
Nipple family	N 056

Contact Schmalz

J. Schmalz GmbH | Johannes-Schmalz-Str.1, 72293 Glatten, Germany | +49 7443 2403-102 | customercenter@schmalz.de

Bellows suction cup (round)

FGA 19 PVC-50 N056

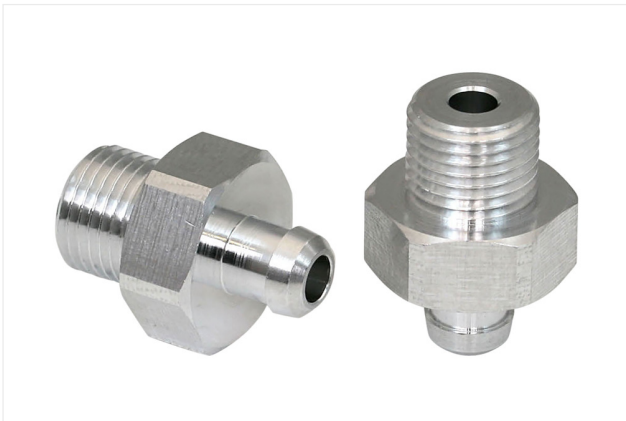
Part no.:10.01.06.01975

<https://www.schmalz.com/10.01.06.01975>

Number of folds	1.50
Suction cup material	Polyvinyl chloride PVC
Material hardness [Shore A]	50 Shore A
Weight	1.50 g
Product family	FGA

Note: Suction force: The specified suction forces are theoretical values at a vacuum of -0.6 bar and with a dry, smooth and flat workpiece surface - they do not include a safety factor Hose diameter: The recommended hose diameter refers to a hose length of approx. 2 m

Accessories



SA-NIP N056 M5-AG DN200

Part no.:10.01.06.03080

Nipple: N 056

Thread G1: M5-M

Length L1: 17 mm

Fitting length: 5 mm

Nominal size: 200

Material: Aluminum

Spanner size SW2: 4 mm



SA-NIP N056 G1/8-AG DN400

Part no.:10.01.06.03571

Nipple: N 056

Thread G1: G1/8"-M

Length L1: 20 mm

Fitting length: 5 mm

Nominal size: 400

Material: Aluminum

Spanner size SW2: 4 mm

Bellows suction cup (round)

FGA 19 PVC-50 N056

Part no...:10.01.06.01975

<https://www.schmalz.com/10.01.06.01975>



SA-NIP N056 G1/8-IG DN400

Part no...:10.01.06.03572

Nipple: N 056

Thread G1: G1/8"-F

Length L1: 17 mm

Fitting length: 10 mm

Nominal size: 400

Material: Aluminum

Spanner size SW2: 4 mm