

Basic Ejector

SBP 20 S03 SDA

Part no...:10.02.01.00567

<https://www.schmalz.com/10.02.01.00567>

Home > Vacuum Technology for Automation > Vacuum Components > Vacuum Generators > Basic Ejectors > Basic Ejectors SBP > SBP 20 S03 SDA

Basic ejector for universal use



Nozzle diameter: 2 mm

Add. function: Silencer axial

Degree of evacuation: 85 %

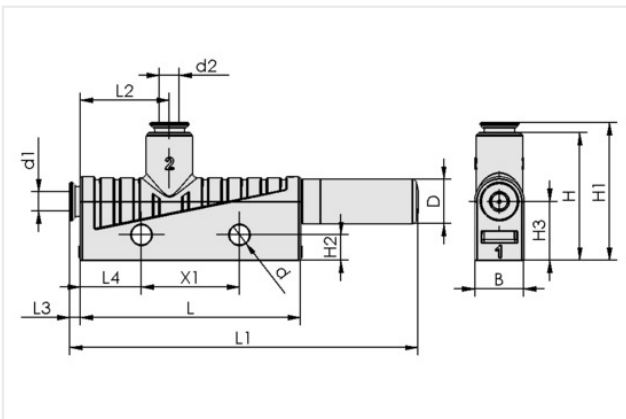
Connection: Hose D8(1)-D10(2)

Pressure optimal: 4.5 bar

Suction rate (max.): 127 l/min

Air consumption suction: 197 l/min

Design Data



| Attribute | Value |
|-----------|----------|
| B | 20 mm |
| d | 4.20 mm |
| d1 | 8 mm |
| d2 | 10 mm |
| D | 20 mm |
| H | 39 mm |
| H1 | 45.50 mm |
| H2 | 5.20 mm |
| H3 | 17 mm |
| L | 86.50 mm |
| L1 | 168 mm |
| L2 | 24.50 mm |
| L3 | 5.50 mm |
| L4 | 12.50 mm |
| X1 | 20 mm |

Technical Data

| Attribute | Value |
|----------------------|------------------------|
| Nozzle diameter | 2 mm |
| Degree of evacuation | 85 % |
| Suction rate (max.) | 7.60 m ³ /h |

Contact Schmalz

J. Schmalz GmbH | Johannes-Schmalz-Str.1, 72293 Glatten, Germany | +49 7443 2403-102 | customercenter@schmalz.de

Basic Ejector

SBP 20 S03 SDA

Part no...:10.02.01.00567

<https://www.schmalz.com/10.02.01.00567>

| | |
|---|-------------------------|
| Suction rate (max.) | 127 l/min |
| Air consumption suction | 11.80 m ³ /h |
| Air consumption suction | 197 l/min |
| Sound level free | 77 dB(A) |
| Sound level suction | 68 dB(A) |
| Pressure range (operating pressure) | 3.0 ... 6.0 bar |
| Pressure optimal | 4.50 bar |
| Recomm. internal hose diameter compressed air | 6 mm |
| Recomm. internal hose diameter vacuum | 7 mm |
| Operating temperature | 0 ... 60 °C |
| Pressure range (operating pressure) | 43.5 ... 87.0 |
| Suction rate (max.) | 4.48 cfm |
| Air consumption suction | 6.96 cfm |
| Weight | 50 g |
| Product family | SBP |

Note: Air consumption: At optimal operating pressure Hose diameter: For max. length 2 m

Accessories



BEF-PL 110x44.5x3 SBP

Part no...:10.02.01.00511

Length L: 110 mm

Width B: 44.5 mm

Height H: 3 mm

Construction use: Basic ejector SBP

Basic Ejector

SBP 20 S03 SDA

Part no...:10.02.01.00567

<https://www.schmalz.com/10.02.01.00567>



SET SBP M4-IG

Part no...:10.02.01.00769

Length L: 50 mm

Width B: 14 mm

Construction use: Basic ejector SBP

Type: M4-IG



VFT G1/4-IG 100

Part no...:10.07.01.00120

Connection: G1/4"-F

Shape: short filter insert

Nominal flow rate: 140 l/min

Nominal flow rate: 8.4 m³/h

Filter pore size: 100 µm

Spare parts



SD G3/8-AG 20x76 SBP

Part no...:10.02.01.00719

Thread G1: G3/8"-M

External diameter D: 20 mm

Length L: 76 mm

Construction use: Basic ejector SBP