

[Home](#) > [Cylinders/Sensors & Accessories - Shock Absorber - Vacuum Components](#) > [Compact cylinder ISO 21287 \(Ø 20-63\)](#) > [Compact cylinder, double acting, ISO 21287 \(Eco-Line\)](#) > [SFS 63/60-B](#)

ISO 21287 cylinders, double acting, piston 63 mm, stroke 60 mm

Item number:

SFS 63/60-B



Example illustration

Item description

Materials:

Head and foot: aluminium, cylinder tube: anodized aluminium, piston rod: stainless steel (Ø 32 - 100: hard chromium plated steel), seal: NBR / PUR

Temperature range:

-20 to +80 °C

Operating pressure:

max. 10 bar

Version:

With Magnetic piston

Cylinder switch type:

D, A

Optional:

Piston rod with male thread **-B**

Properties

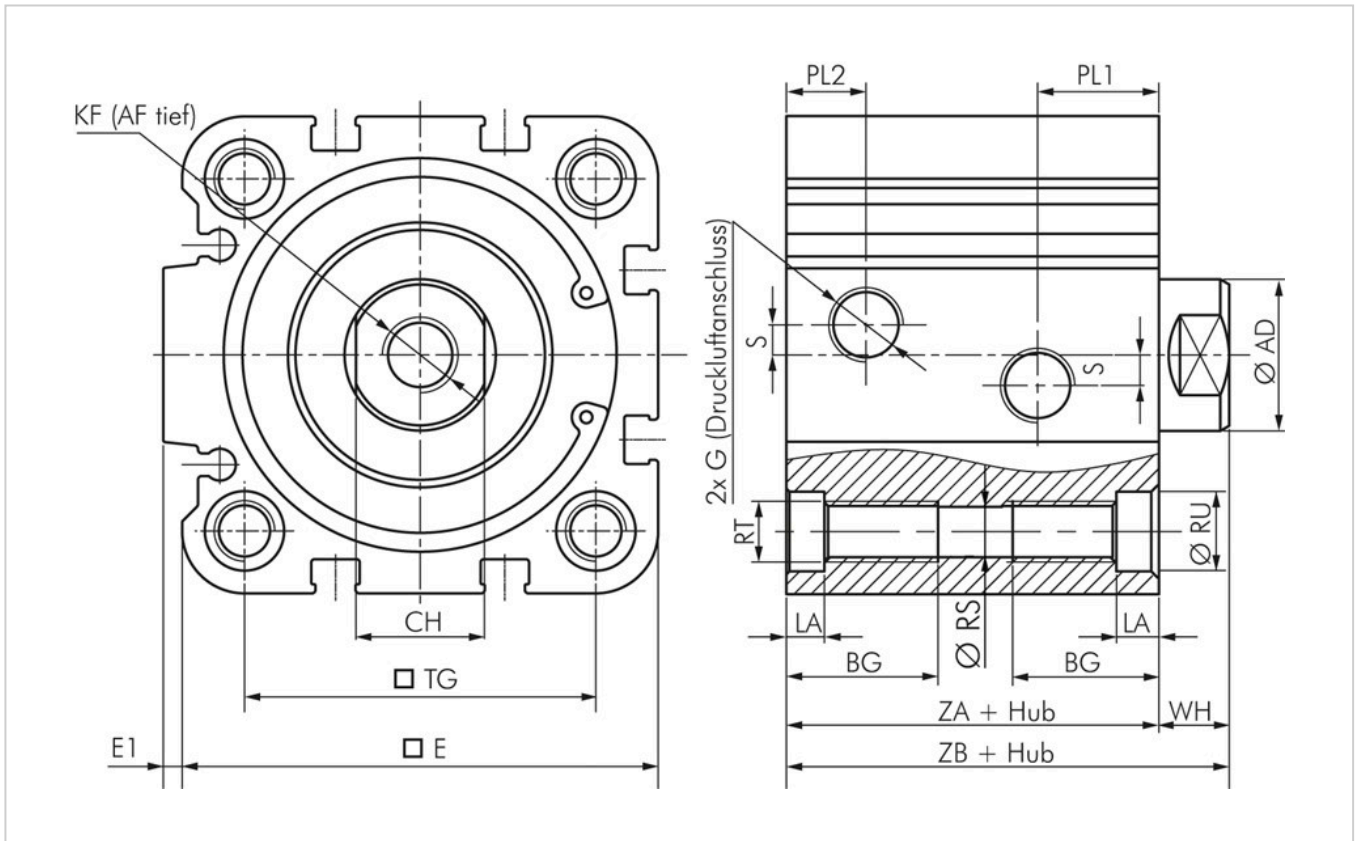
Piston diameter [mm]	63
Stroke [mm]	60
Version	Piston rod with male thread
KK (piston rod male thread)	M 12x1,25
G (compressed air port)	G 1/8"

Repair sets	SFS 63 REP
A [mm]	22
AD [mm]	20
AF [mm]	16
BG [mm]	20
CH [mm]	17
E [mm]	74,0
E1 [mm]	3,5
LA [mm]	5
PL1 [mm]	17,0
PL2 [mm]	11,5
RT	M 8
S [mm]	5
TG [mm]	56,5
WH [mm]	8
ZA [mm]	49
ZB [mm]	57

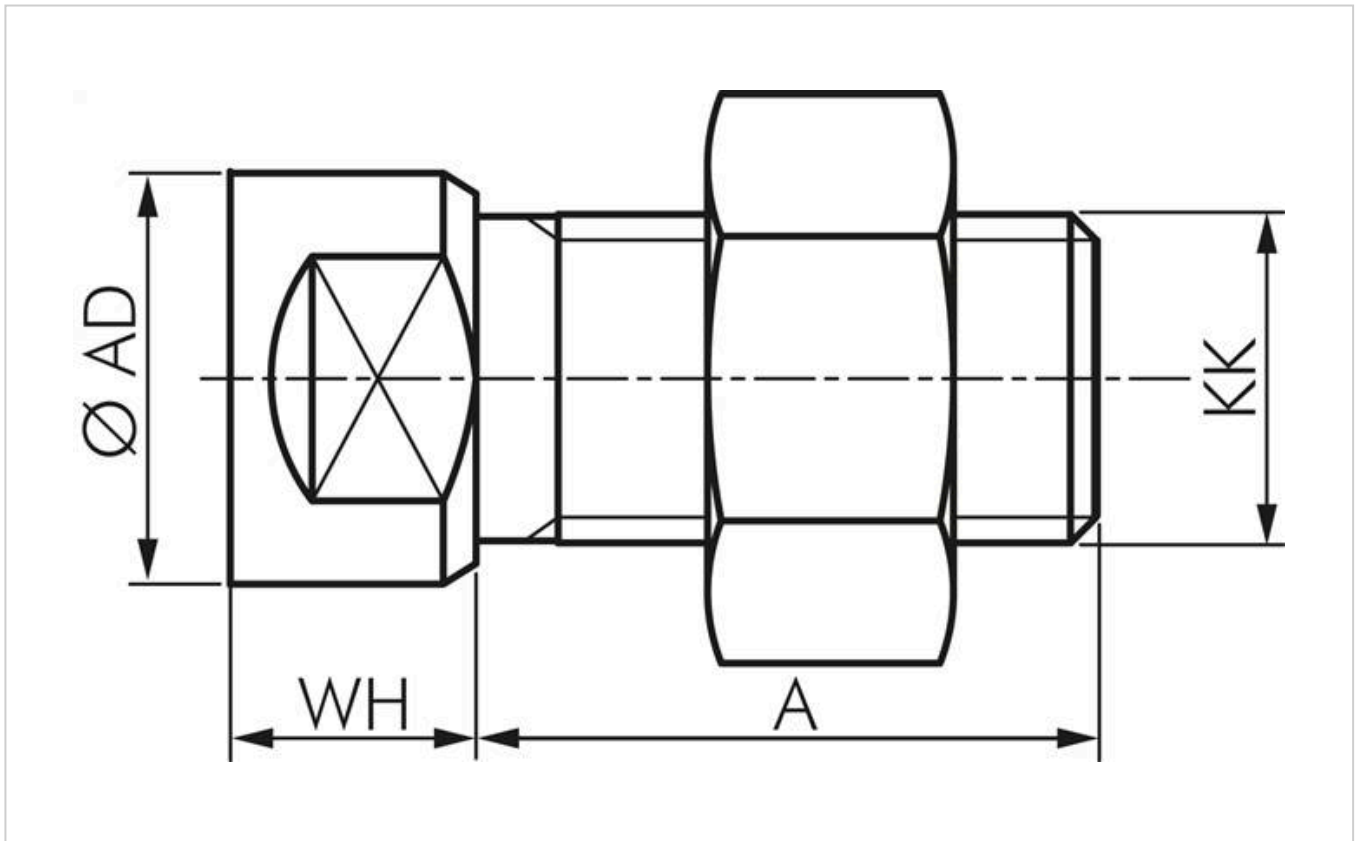
Further information:

Weight	1,2 kg / pcs
GTIN	4050571929022
Customs duty number	84123100
RoHS compliant	Yes
Manufacturer	EMC

Drawing:



Drawing: Compact cylinder ISO 21287, Standard (Ø 25 - Ø 100)



Drawing: Piston rod with male thread

More information on this item and the process for ordering it can be found in our online shop
<https://www.landefeld.com> under item number **SFS 63/60-B**.

Landefeld Druckluft und Hydraulik GmbH · Konrad-Zuse-Straße 1 · 34123 Kassel · Germany

All data are to be understood as non-binding reference values! We do not assume liability for any data selection not confirmed in writing. Unless otherwise specified, pressure values refer to liquids from Group II at +20°C.

As of: 26.11.2024