



DK 0200 G



- Cable junction box for normal environment and protected outdoor
- without terminals
- Dimensions H x W x D: 93 x 93 x 62 mm
- With elastic membranes, which can be removed for cable entry via cable glands

ELECTRICAL PROPERTIES

Rated insulation voltage: $U_i = 1000 \text{ V}$

CONNECTION DATA

CABLE ENTRIES

Cable entries:

| Number of cable entries | Type of cable entry | Size of the metric knock-outs | Sealing range of the cable entry | Location of cable entry |
|-------------------------|---------------------|-------------------------------|----------------------------------|-------------------------|
| 7 | elastic membranes | M20 | 6 mm - 15 mm | wall |
| 1 | elastic membranes | without | 6 mm - 13 mm | bottom |

MECHANICAL PROPERTIES

| | |
|-------------------------------|--|
| Type of lid fastening: | Quick locking: Opening and closing by quarter turn, locked position well visible (open - locked) |
| Delivered accessories: | External brackets, retaining strap, sealing plug |
| IP degree of protection: | IP66 |
| Impact strength: | IK07 |
| Sealable without accessories: | Yes |

AMBIENT CONDITIONS

| | |
|-----------------------------------|-----------------------------------|
| Application area: | Indoor installation |
| Maximum ambient temperature 24 h: | 35 °C |
| Ambient temperature: | -25 °C up to +40 °C |
| Relative humidity: | ≤ 50 % at 40 °C, ≤ 100 % at 25 °C |

MATERIAL PROPERTIES

| | |
|---|---------------------|
| Material: | Polypropylene |
| Glow wire test according to IEC 60695-2-11: | 750 °C |
| UL 94: | V-2 |
| Temperature resistance: | -25 °C up to +80 °C |
| Halogen-free: | Yes |
| Silicone-free: | Yes |

DIMENSIONS

| | |
|------------------|----------|
| Height: | 93 mm |
| Width: | 93 mm |
| Depth: | 62 mm |
| Net weight: | 0.102 kg |
| Mounting height: | 74 mm |
| Mounting width: | 74 mm |
| Mounting depth: | 47 mm |

CERTIFICATES

conforming to the standards: DIN EN 60670-1/-22, IEC 60670-1/-22

Certificates:

| Type of certificate | Certificate number |
|---------------------|--------------------|
| VDE | 40049684 |

SALES DATA

Product number: 62000000
EAN: 4012591124924
Pack unit: 5
Customs tariff number: 85369010
ETIM class: DYNAMIC: EC002600 - Box/housing for surface mounting on the wall/ceiling
ETIM-8.0: EC002600 - Box/housing for surface mounting on the wall/ceiling
ETIM-7.0: EC002600 - Box/housing for surface mounting on the wall/ceiling
ETIM-6.0: EC002600 - Box/housing for surface mounting on the wall/ceiling
ETIM-5.0: EC002600 - Box/housing for surface mounting on the wall/ceiling
ETIM-4.0: EC002600 - Box/housing for surface mounting on the wall/ceiling

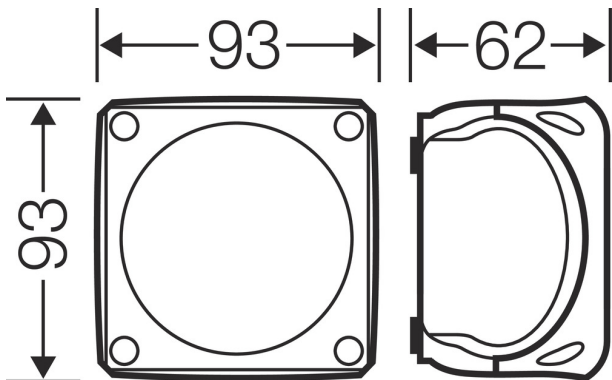
NOTE

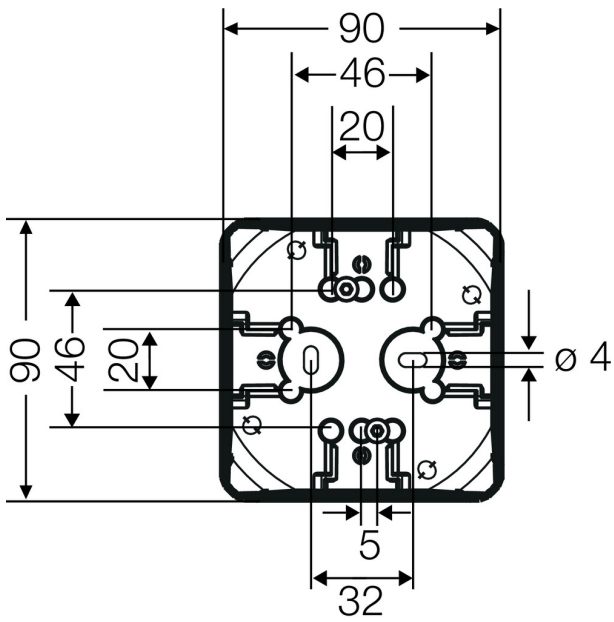
When using the sealing plugs supplied, the specified protection class is not changed.

TENDER TEXT

Cable junction boxes in accordance with IEC 60670-22 with removable elastic membranes. Suitable for indoor and protected outdoor installation in accordance with DIN VDE 0100, part 737. For ambient temperatures maximum value +40 °C and minimum value -25 °C, with relative humidity of 50 % at +40 °C or 100 % at +25 °C. Material temperature resistance from -25 °C to +70 °C, burning behaviour according to IEC 60695-2-11 - glow wire test 750°C, UL Subject 94 V-2. Degree of protection in accordance with IEC 60529: IP 66. Rated insulation voltage: 1000 V. Material: thermoplastics, halogen- and silicone-free. Colour: grey, RAL 7035. Lid fastening with quick fasteners, sealable without accessories. Plug-in external brackets for wall mounting included. Make: HENSEL ENYCASE DK.

DRAWINGS





2x Ø6-15 mm

2xM20

2x Ø6-15 mm

2xM20

2x Ø6-15 mm

2xM20



1x Ø6-15 mm

1xM20