

Bellows suction cup (round)

FGA 22 SI-55 N016

Part no...:10.01.06.00100

<https://www.schmalz.com/10.01.06.00100>

Home > Vacuum Technology for Automation > Vacuum Components > Vacuum Suction Cups > Bellows Suction Cups (Round) > FGA 22 SI-55 N016

Bellows suction cup (round) with optimal adaptation to uneven surfaces



Size: 22

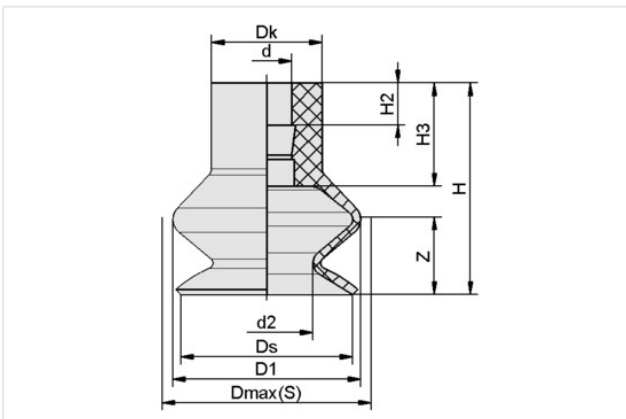
Suction cup material: Silicone SI

Material hardness [Shore A]: 55 Shore A

Material characteristics: FDA-compatible

Number of folds: 1.5

Design Data



Attribute	Value
d	4.50 mm
d2	11.70 mm
D1	24.20 mm
Dk	10 mm
Dmax(S)	25 mm
Ds	21.50 mm
H	19 mm
H2	3.80 mm
H3	9.10 mm
Z (Stroke)	6 mm

Note: Acceptable dimensional tolerances for elastomer parts concerning to DIN ISO 3302-1 M3

Technical Data

Attribute	Value
Number of folds	1.50
Suction force	5.70 N
Size	22
Suction cup material	Silicone SI
Weight	2 g
Curve radius (min) (convex)	25 mm
Product family	FGA

Contact Schmalz

J. Schmalz GmbH | Johannes-Schmalz-Str.1, 72293 Glatten, Germany | +49 7443 2403-102 | customercenter@schmalz.de

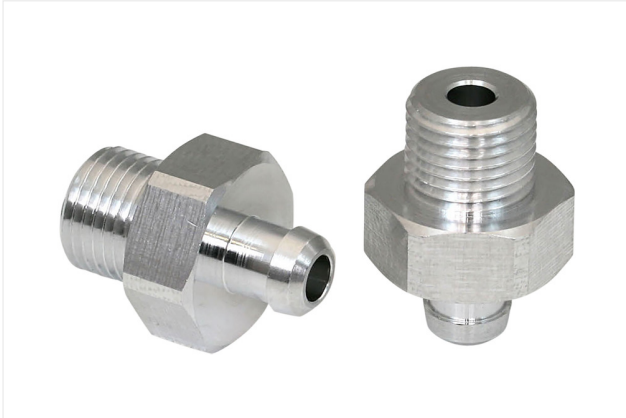
Bellows suction cup (round)

FGA 22 SI-55 N016

Part no...:10.01.06.00100

<https://www.schmalz.com/10.01.06.00100>

Accessories



SA-NIP N016 G1/8-AG DN350

Part no...:10.01.06.05735

Nipple family: N 016

Thread G1: G1/8"-M

Length L1: 20 mm

Fitting length: 6 mm

Nominal diameter dn: 3.5 mm

Material: Aluminum



SA-NIP N016 G1/8-IG DN350

Part no...:10.01.06.05731

Nipple family: N 016

Thread G1: G1/8"-F

Length L1: 18.5 mm

Fitting length: 12 mm

Nominal diameter dn: 3.5 mm

Material: Aluminum



SA-NIP N016 M5-AG DN250

Part no...:10.01.06.00123

Nipple family: N 016

Thread G1: M5-M

Length L1: 16 mm

Fitting length: 5 mm

Nominal diameter dn: 2.5 mm

Material: Aluminum

Bellows suction cup (round)

FGA 22 SI-55 N016

Part no...:10.01.06.00100

<https://www.schmalz.com/10.01.06.00100>



SA-NIP N016 G1/8-AG DN310

Part no...:10.01.06.04062

Nipple family: N 016

Thread G1: G1/8"-M

Length L1: 20 mm

Fitting length: 6 mm

Nominal diameter dn: 3.1 mm

Spanner size SW2: 3 mm

Material: Austenitic stainless steel



SA-NIP N016 M5-AG DN250

Part no...:10.01.06.04365

Nipple family: N 016

Thread G1: M5-M

Length L1: 16 mm

Fitting length: 5 mm

Nominal diameter dn: 2.5 mm

Spanner size SW2: 3 mm

Material: Austenitic stainless steel



SA-NIP N016 M5-IG DN310

Part no...:10.01.06.04689

Nipple family: N 016

Thread G1: M5-F

Length L1: 16 mm

Fitting length: 10 mm

Nominal diameter dn: 3.1 mm

Spanner size SW2: 3 mm

Material: Austenitic stainless steel

Bellows suction cup (round)

FGA 22 SI-55 N016

Part no...:10.01.06.00100

<https://www.schmalz.com/10.01.06.00100>



SA-NIP N016 G1/8-IG DN310

Part no...:10.01.06.04690

Nipple family: N 016

Thread G1: G1/8"-F

Length L1: 18.5 mm

Fitting length: 12 mm

Nominal diameter dn: 3.1 mm

Material: Austenitic stainless steel



SPI 21 PEEK

Part no...:10.01.06.03285

Size: 21

Material: Polyetheretherketon