

Bellows suction cups (round)

FSG 32 NBR-55 G1/4-AG

Part no...:10.01.06.00030

<https://www.schmalz.com/10.01.06.00030>

Home > Vacuum Technology for Automation > Vacuum Components > Vacuum Suction Cups > Bellows Suction Cups (Round) > Bellows Suction Cups FSG (2.5 Folds) > FSG 32 NBR-55 G1/4-AG

Bellows suction cup (round) for very uneven workpieces



Size: 32

Suction cup material: Nitrile rubber NBR

Material hardness [Shore A]: 55 Shore A

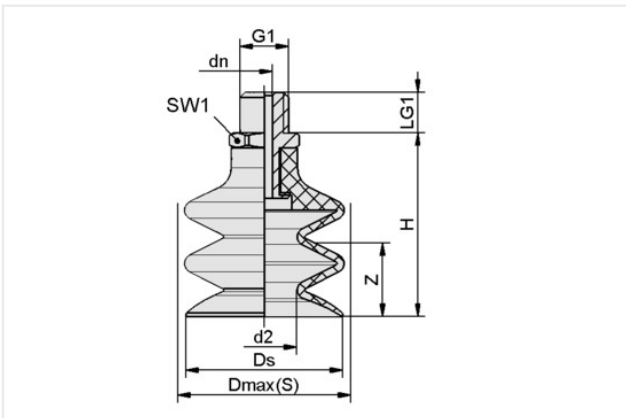
Nipple material: Aluminum

Connection: G1/4"-M

Number of folds: 2.5

Vacuum connection: G1/4"-M

Design Data



Attribute	Value
d2	16 mm
dn	4.40 mm
Dmax(S)	33.50 mm
Ds	32 mm
G1	G1/4"-M
H	41.50 mm
LG1	11 mm
SW1	17 mm
Z (Stroke)	15 mm

Note: Acceptable dimensional tolerances for elastomer parts concerning to DIN ISO 3302-1 M3

Technical Data

Attribute	Value
Suction cup material	Nitrile rubber NBR
Material hardness [Shore A]	55 Shore A
Size	32
Number of folds	2.50
Connection	G1/4-AG
Curve radius (min) (convex)	35 mm
Volume	10 cm ³

Contact Schmalz

J. Schmalz GmbH | Johannes-Schmalz-Str.1, 72293 Glatten, Germany | +49 7443 2403-102 | customercenter@schmalz.de

Bellows suction cups (round)

FSG 32 NBR-55 G1/4-AG

Part no...:10.01.06.00030

<https://www.schmalz.com/10.01.06.00030>

Suction force	12.06 N
Pull-off force	36.90 N
Hose diameter (rec.) d	6 mm
Weight	17 g
Product family	FSG

Note: Suction force: The specified suction forces are theoretical values at a vacuum of -0.6 bar and with a dry, smooth and flat workpiece surface - they do not include a safety factor Pull-off force: The pull-off force of the versions made of natural rubber is reduced by about 40% Hose diameter: The recommended hose diameter refers to a hose length of approx. 2 m

Accessories



DR 32/19x2 MOS SI-15

Part no...:10.01.06.02615

External diameter D: 32 mm

Internal diameter d: 19 mm

Height H: 2 mm

Material type: Foam rubber

Sealing material: Silicone SI

Material hardness [Shore A]: 15 Shore A



FD 27 120

Part no...:10.01.06.02571

External diameter D: 27 mm

Filter pore size: 120 µm

Construction use: Bellows suction cup

Size: FG 32

Bellows suction cups (round)

FSG 32 NBR-55 G1/4-AG

Part no...:10.01.06.00030

<https://www.schmalz.com/10.01.06.00030>



SPI 32 PEEK

Part no...:10.01.06.03287

Size: 32

Material: Polyetheretherketon



SU 30

Part no...:10.01.01.12889

Size: 30

Clamping range: 27.0 ... 35.0 mm

Temperature resistance: 80 °C

Spare parts



SA-NIP N018 G1/4-AG DN440

Part no...:10.01.06.01065

Nipple family: N 018

Thread G1: G1/4"-M

Length L1: 28.8 mm

Fitting length: 4 mm

Nominal diameter dn: 4.4 mm

Spanner size SW2: 5 mm

Material: Aluminum

Bellows suction cups (round)

FSG 32 NBR-55 G1/4-AG

Part no...:10.01.06.00030

<https://www.schmalz.com/10.01.06.00030>



FG 32 NBR-55 N018

Part no...:10.01.06.00140

Size: 32

Suction cup material: Nitrile rubber NBR

Material hardness [Shore A]: 55 Shore A

Number of folds: 2.5