

Suction plate (round)

SUF 210 NBR-60 G1/2-IG VRS

Part no...:10.01.01.13536

<https://www.schmalz.com/10.01.01.13536>

Home > Vacuum Technology for Automation > Vacuum Components > Vacuum Suction Cups > Flat Suction Cups (Round) > Suction Plates SUF > SUF 210 NBR-60 G1/2-IG VRS

Suction plate (round), universal, for smooth and slightly rough surfaces



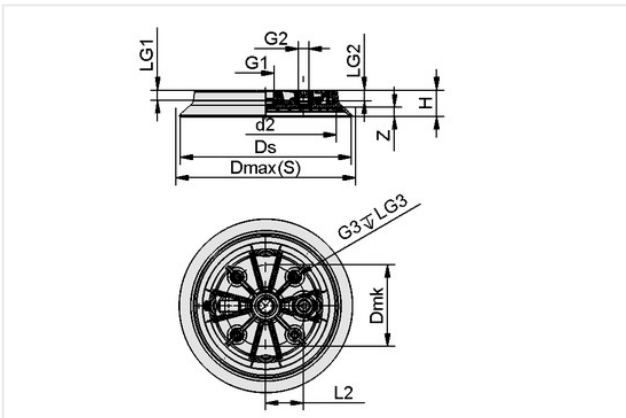
Size: 210

Suction cup material: Nitrile rubber NBR

Material hardness [Shore A]: 60 Shore A

contains: Screw plug

Design Data



Attribute	Value
d2	172.90 mm
Dmax(S)	220 mm
Dmk	100 mm
Ds	210 mm
G1	G1/2"-F
G2	G1/4"-F
G3	M8-F
H	32 mm
L2	46.50 mm
LG1	12.20 mm
LG2	11.80 mm
LG3	11.10 mm
Z (Stroke)	11 mm

Technical Data

Attribute	Value
Product family	SUF
Size	210
Suction cup material	Nitrile rubber NBR
Material hardness [Shore A]	60 Shore A

Contact Schmalz

J. Schmalz GmbH | Johannes-Schmalz-Str.1, 72293 Glatten, Germany | +49 7443 2403-102 | customercenter@schmalz.de

Suction plate (round)

SUF 210 NBR-60 G1/2-IG VRS

Part no...:10.01.01.13536

<https://www.schmalz.com/10.01.01.13536>

Volume	362 cm ³
Suction force d2	1400 N
Suction force	2070 N
Curve radius (min) (convex)	750 mm
Hose diameter (rec.) d	12 mm
Weight	546 g

Note: Suction force: The specified suction forces are theoretical values at a vacuum of -0.6 bar and with a smooth, dry workpiece surface - they do not include a safety factor Hose diameter: The recommended hose diameter refers to a hose length of approx. 2 m

Accessories



SIEB 27x1 MS-A2 100 100/65

Part no...:10.07.01.00110



PC 250

Part no...:10.01.01.13090

Size: 250

Suction plate (round)

SUF 210 NBR-60 G1/2-IG VRS

Part no...:10.01.01.13536

<https://www.schmalz.com/10.01.01.13536>



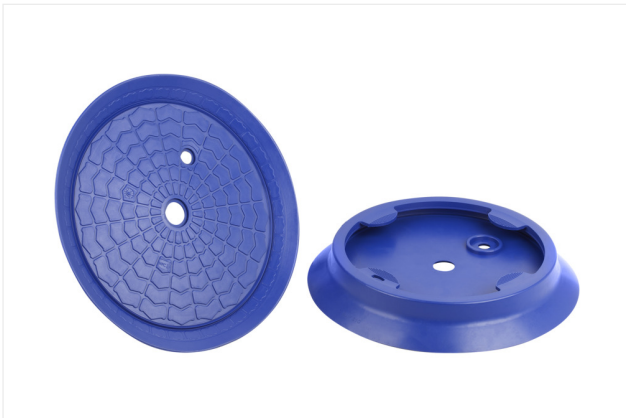
TV G1/4-AG 12

Part no...:10.05.10.00086

Thread G1: G1/4"-M

Spring stroke Z: 12 mm

Spare parts



DR-SUF 210 NBR-60

Part no...:10.01.01.13846

Size: 210

Suction cup material: Nitrile rubber NBR

Material hardness [Shore A]: 60 Shore A