

## Flat suction cup (round)

SGPN 20 SI-50 M5-AG

Part no...:10.01.01.11983

<https://www.schmalz.com/10.01.01.11983>

Home > Vacuum Technology for Automation > Vacuum Components > Vacuum Suction Cups > Suction Cups for Plastic Films and Paper > Flat Suction Cups SGPN > SGPN 20 SI-50 M5-AG

### Flat suction cup (round) for careful gripping of paper, plastic film, etc.



Size: 20

Suction cup material: Silicone SI

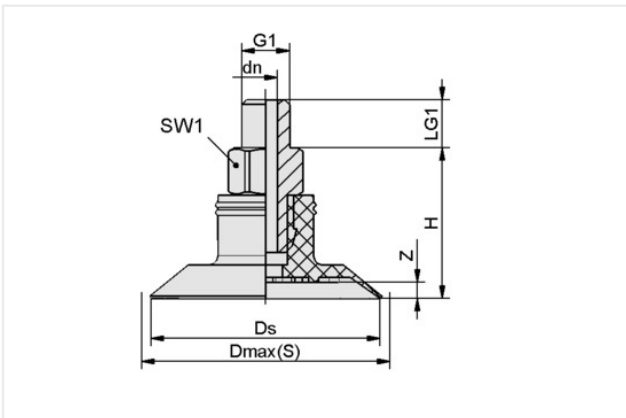
Material hardness [Shore A]: 50 Shore A

Nipple material: Aluminum

Material characteristics: FDA

Vacuum connection: M5-M

### Design Data



Attribute	Value
dn	2.50 mm
Dmax(S)	22 mm
Ds	20 mm
G1	M5-M
H	15.40 mm
LG1	5 mm
SW1	7 mm
Z (Stroke)	1.50 mm

Note: Acceptable dimensional tolerances for elastomer parts concerning to DIN ISO 3302-1 M3

### Technical Data

Attribute	Value
Suction force	8.50 N
Volume	0.60 cm <sup>3</sup>
Hose diameter (rec.) d	2 mm
Size	20
Number of folds	0
Suction cup material	Silicone SI
Material hardness [Shore A]	50 Shore A

### Contact Schmalz

J. Schmalz GmbH | Johannes-Schmalz-Str.1, 72293 Glatten, Germany | +49 7443 2403-102 | [customercenter@schmalz.de](mailto:customercenter@schmalz.de)

## Flat suction cup (round)

SGPN 20 SI-50 M5-AG

Part no...:10.01.01.11983

<https://www.schmalz.com/10.01.01.11983>

Weight	2.50 g
Product family	SGPN

Note: Suction force: The specified suction forces are theoretical values at a vacuum of -0.6 bar and with a dry, smooth and flat workpiece surface - they do not include a safety factor  
Hose diameter: The recommended hose diameter refers to a hose length of approx. 2 m

### Spare parts



#### SA-NIP N016 M5-AG DN250

Part no...:10.01.06.00123

Nipple family: N 016

Thread G1: M5-M

Length L1: 16 mm

Fitting length: 5 mm

Nominal diameter dn: 2.5 mm

Material: Aluminum



#### SGP 20 SI-50 N016

Part no...:10.01.01.11571

Size: 20

Suction cup material: Silicone SI

Material hardness [Shore A]: 50 Shore A