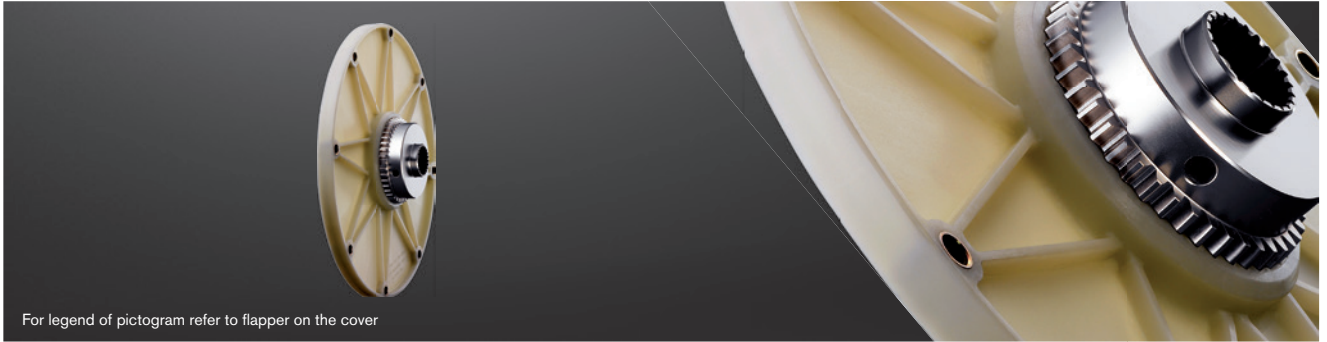


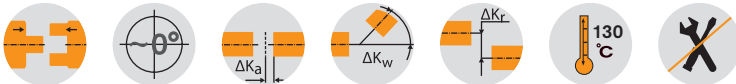
# BoWex® FLE-PA

## Torsionally stiff flange couplings

**Axial plug-in, maintenance-free, torsionally stiff**



For legend of pictogram refer to flapper on the cover



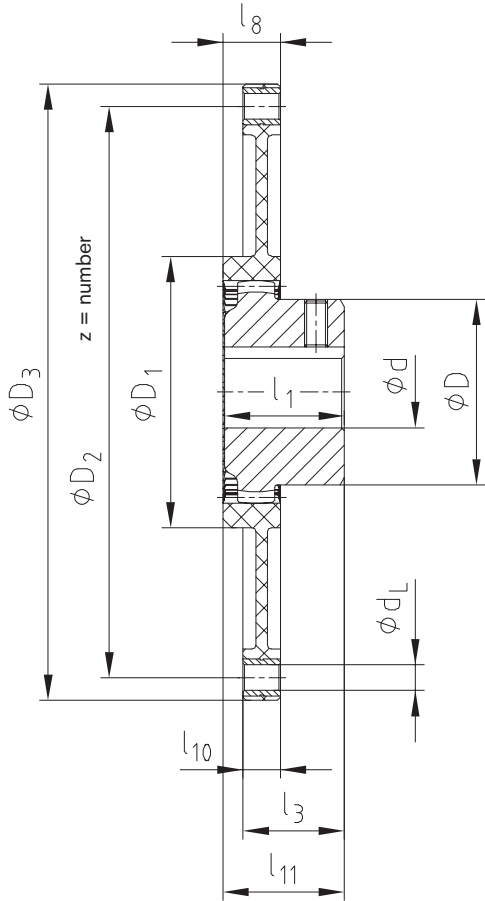
BoWex® FLE-PA – Dimensions/nominal dimension acc. to SAE																			
Size	Pilot bore	Finish bore d		Dimensions [mm]								Special length l1 max.	Nominal size acc. to SAE (Dg)						Max. axial displacement [mm]
		min.	Max.	D	D1	I1	I3	I7	I8	I10	I11		6 1/2"	7 1/2"	8"	10"	11 1/2"	14"	
48	-	20	48	68	100	50	41	50	20	13	48	up to 60	●	●	●	●			± 2
T 48	13	15	48	68	100	50	38	45	20	13	46	-	●	●	●	●			± 1
T 55	17	20	55	85	115	50	37	48	24	13	48	-	●	●	●	●			± 2
65 / T 65	21	30	65	96	132	55	45	54	27	21	51	up to 70			●	●	●		± 2
T 70	26	30	70	100	153	60	48	56	30	21	57	-				●			± 2
80 / T 80	31	35	90	124	170	90	78	87	30	21	87	-				●	●		± 2
100 / T 100	38	40	100	152	265	110	78	108	35	21	110	-					●	●	± 2
125 / T 125	45	50	125	192	250	140	113	140	50	28	97	-					●	●	± 2

Special flange dimensions see page 222 et seqq. and on request

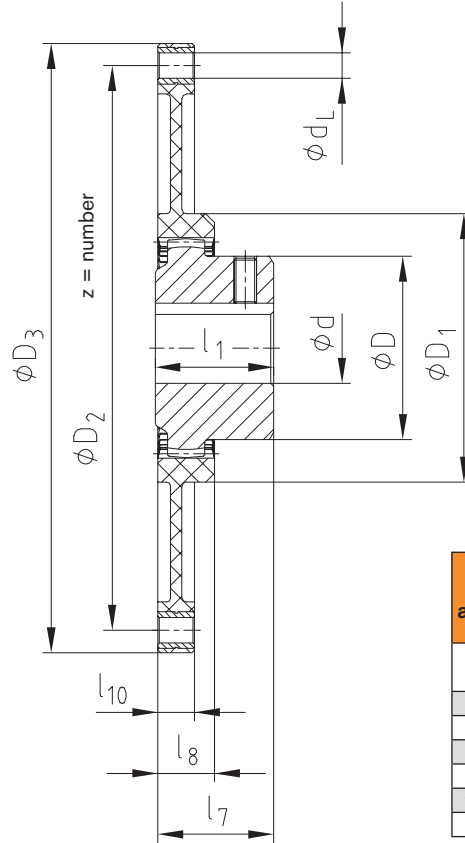
Technical data of BoWex® FLE-PA – Torques/weights/mass moments of inertia/torsion spring stiffness																
Size	Torque TK [Nm]			Weight/mass moment of inertia J	Hub with max. bore	FLE-PA flanges according to SAE						Dynamic torsion spring stiffness with +60 °C/ψ = 0.4 [Nm/rad]				
	TKN	TK max.	TKW			6 1/2"	7 1/2"	8"	10"	11 1/2"	14"	0.30 TKN	0.50 TKN	0.75 TKN	1.00 TKN	
48	240	600	120	[kg]	0.79	0.32	0.43	0.51	0.64	-	-	35 x 10³	75 x 10³	105 x 10³	125 x 10³	
				[kgm²]	0.0007	0.0021	0.0035	0.0049	0.0085							
T 48	300	750	150	[kg]	0.79	0.32	0.43	0.51	0.64	-	-	40 x 10³	86 x 10³	120 x 10³	143 x 10³	
				[kgm²]	0.0007	0.0021	0.0035	0.0049	0.0085							
T 55	450	1125	225	[kg]	1.20	0.34	0.62	0.45	0.646	-	-	90 x 10³	140 x 10³	170 x 10³	195 x 10³	
				[kgm²]	0.0016	0.0022	0.0053	0.0044	0.0086							
65	650	1600	325	[kg]	1.50	-	-	0.63	0.64	0.89	-	110 x 10³	160 x 10³	200 x 10³	230 x 10³	
				[kgm²]	0.0027			0.0064	0.0065	0.012						
T 65	800	2000	400	[kg]	1.60	-	-	0.63	0.64	0.89	-	130 x 10³	190 x 10³	240 x 10³	280 x 10³	
				[kgm²]	0.0035			0.0064	0.0065	0.012						
T 70	1000	2500	500	[kg]	2.60	-	-	-	0.941	-	-	165 x 10³	315 x 10³	345 x 10³	368 x 10³	
				[kgm²]	0.0059				0.0132							
80	1200	3000	600	[kg]	5.20	-	-	-	1.05	1.12	-	200 x 10³	410 x 10³	580 x 10³	700 x 10³	
				[kgm²]	0.0151				0.015	0.022						
T 80	1500	3750	750	[kg]	5.20	-	-	-	1.05	1.12	-	240 x 10³	450 x 10³	638 x 10³	770 x 10³	
				[kgm²]	0.0151				0.015	0.022						
100	2050	5150	1025	[kg]	9.37	-	-	-	-	1.16	8.45	500 x 10³	700 x 10³	856 x 10³	950 x 10³	
				[kgm²]	0.0401					0.021	0.234					
T 100	2500	6250	1250	[kg]	9.37	-	-	-	-	1.16	8.45	600 x 10³	830 x 10³	960 x 10³	1070 x 10³	
				[kgm²]	0.0401					0.021	0.234					
125	4250	10700	2125	[kg]	19.73	-	-	-	-	2.09	9.85	1280 x 10³	1885 x 10³	2280 x 10³	2665 x 10³	
				[kgm²]	0.1359					0.043	0.306					
T 125	5300	13250	2650	[kg]	19.73	-	-	-	-	2.09	9.85	1600 x 10³	2250 x 10³	2700 x 10³	3200 x 10³	
				[kgm²]	0.1359					0.043	0.306					

Mounting procedure, screw type with property class, tightening torques as per KTR assembly instructions (see [www.ktr.com](http://www.ktr.com)).

Short mounting version



Long mounting version



Flange dimensions according to SAE J620 [mm]				
Size	D <sub>3</sub>	D <sub>2</sub>	z	d <sub>L</sub>
6 1/2"	215.9	200.02	6	9
7 1/2"	241.3	222.25	8	9
8"	263.52	244.47	6	11
10"	314.32	295.27	8	11
11 1/2"	352.42	333.37	8	11
14"	466.72	438.15	8	13

Example of installation

