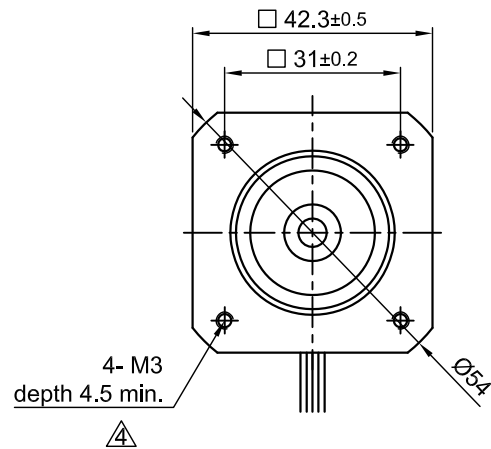
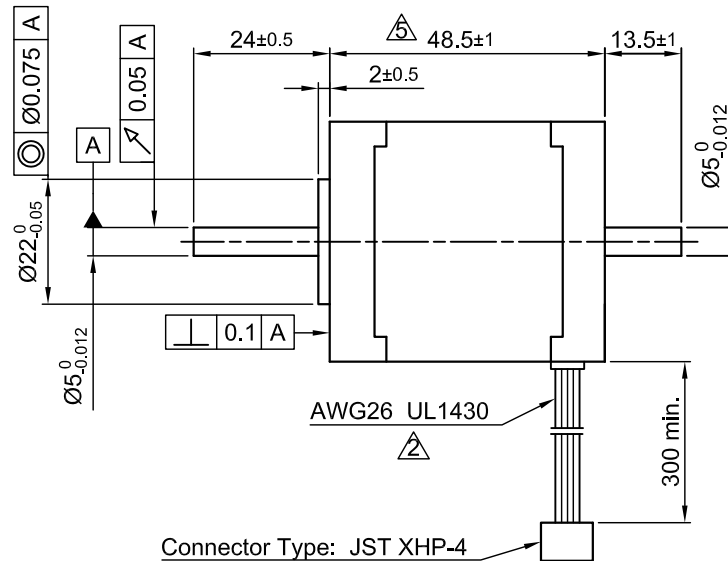


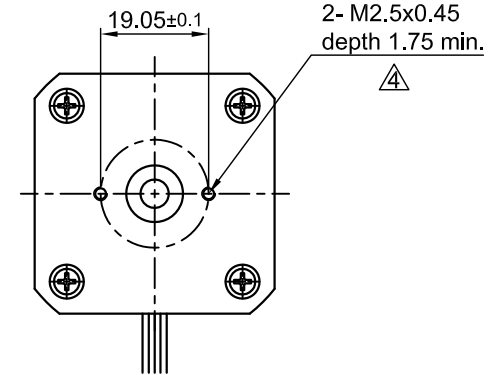
Front view and mounting



Side view

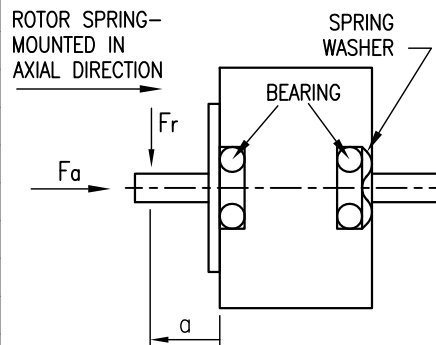


Rear view



SPECIFICATION	CONNECTION	BIPOLAR
VOLTAGE (VDC)		3.15
AMPS/PHASE		1.8
RESISTANCE/PHASE (Ohms)@25°C		1.75±15%
INDUCTANCE/PHASE (mH) @1KHz		3.3±20%
HOLDING TORQUE (Nm) [lb-in]		0.5 [4.425]
DETENT TORQUE (Nm) [lb-in]		0.022 [0.1946]
STEP ANGLE (°)		1.8
STEP ACCURACY (NON-ACCUM)		±5%
ROTOR INERTIA (Kg-m ²) [lb-in ²]		8.2x10 ⁻⁶ [2.8x10 ⁻²]
WEIGHT (Kg) [lb]		0.34 [0.75]

PERMISSIBLE RADIAL+AXIAL FORCE

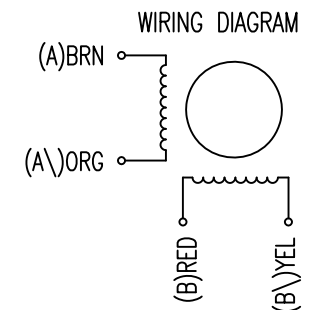


AXIAL-FORCE Fa (N)	Fa=7			
DISTANCE a (mm)	5	10	15	20
RADIAL-FORCE Fr (N)	58	36	26	20
		AXIAL	RADIAL	
SHAFT PLAY (mm)		0.08	0.02	
AT LOAD MAX: (N)		4.5	4.5	

PIN NO	TYPE OF CONNECTION (EXTERN)		MOTOR	
	BIPOLAR	LEADS	WINDING	
1	A —	BRN	A	[Winding Diagram]
2	A\ —	ORG	A\	
3	B —	RED	B	[Winding Diagram]
4	B\ —	YEL	B\	

FULL STEP 2 PHASE-Ex., WHEN FACING MOUNTING END (X)

STEP	A	B	A\	B\	
1	+	+	-	-	CCW
2	-	+	+	-	
3	-	-	+	+	CW
4	+	-	-	+	



5	change motor length	24.05.16	A.S.	 Nanotec PLUG & DRIVE	APVD	S.Ha.	26.02.07	STEPPING MOTOR		
4	rework draw/change depth M2.5/M3	10.02.16	A.S.		CHKD					
3	VALUE OF	13.06.11	J.W.	Surface specification DIN ISO 1302	General tolerances DIN ISO 2768- cH	Work piece edge DIN ISO 13715	DRN	J.W.	30.11.06	DWG.NO
REV	DESCRIPTION	DATE	DRN				SIGNATURE	DATE		ST4118L1804-B