

Flat suction cup (round)

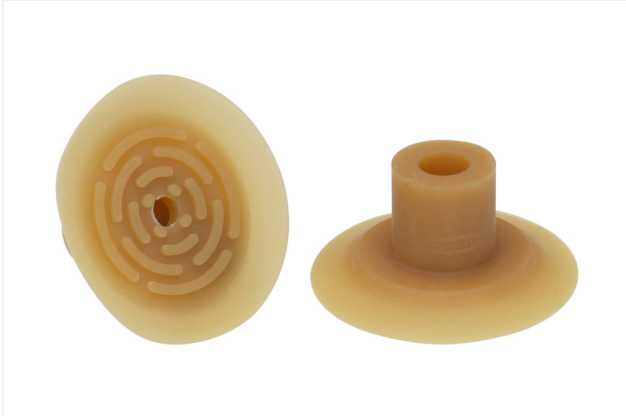
SGP 40 NK-40 N035

Part no...:10.01.01.00789

<https://www.schmalz.com/10.01.01.00789>

Home > Vacuum Technology for Automation > Vacuum Components > Vacuum Suction Cups > Suction Cups for Plastic Films and Paper > SGP 40 NK-40 N035

Flat suction cup (round) for careful gripping of paper, plastic film, etc.

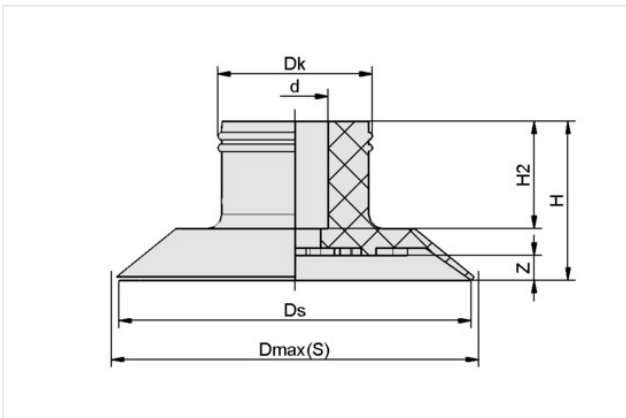


Size: 40

Suction cup material: Natural rubber NK

Material hardness [Shore A]: 40 Shore A

Design Data



Attribute	Value
d	8 mm
Dk	16 mm
Dmax(S)	42 mm
Ds	40 mm
H	20.60 mm
H2	14.50 mm
Z (Stroke)	2.30 mm

Note: Acceptable dimensional tolerances for elastomer parts concerning to DIN ISO 3302-1 M3

Technical Data

Attribute	Value
Suction force	33 N
Volume	3.80 cm ³
Size	40
Nipple family	N 035
Number of folds	0
Suction cup material	Natural rubber NK
Material hardness [Shore A]	40 Shore A

Contact Schmalz

J. Schmalz GmbH | Johannes-Schmalz-Str.1, 72293 Glatten, Germany | +49 7443 2403-102 | customercenter@schmalz.de

Flat suction cup (round)

SGP 40 NK-40 N035

Part no...:10.01.01.00789

<https://www.schmalz.com/10.01.01.00789>

Weight	5.20 g
Product family	SGP

Accessories



SA-NIP N035 G1/4-AG DN550

Part no...:10.01.01.00822

Thread G1: G1/4"-M

Fitting length: 5 mm

Material: Aluminum



SA-NIP N035 G1/4-IG DN550

Part no...:10.01.01.00821

Thread G1: G1/4"-F

Fitting length: 15 mm

Material: Aluminum



SA-NIP N035 G1/8-AG DN500

Part no...:10.01.01.11738

Thread G1: G1/8"-M

Fitting length: 5 mm

Material: Aluminum

Contact Schmalz

J. Schmalz GmbH | Johannes-Schmalz-Str.1, 72293 Glatten, Germany | +49 7443 2403-102 | customercenter@schmalz.de



Flat suction cup (round)

SGP 40 NK-40 N035

Part no...:10.01.01.00789

<https://www.schmalz.com/10.01.01.00789>

Contact Schmalz

J. Schmalz GmbH | Johannes-Schmalz-Str.1, 72293 Glatten, Germany | +49 7443 2403-102 |
customercenter@schmalz.de