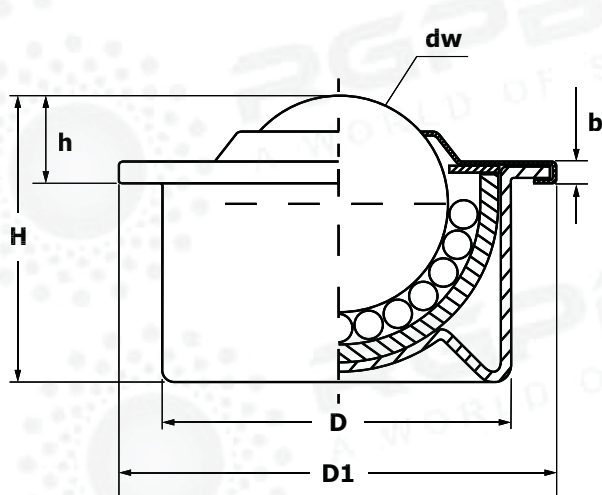
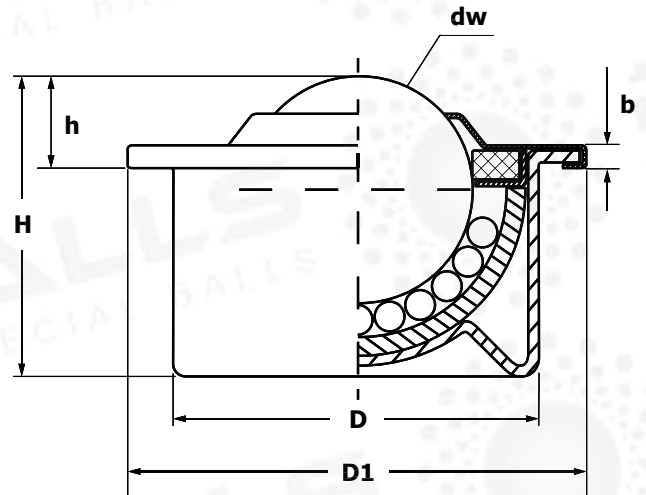


"SPS" pressed metal sheet type





SPS 12/15



SPS 22/30/45

- Dimensionally interchangeable with SPM types, they guarantee good fluency and higher lightness at cheaper price.
- Housing and cover cap made of pressed metal sheet.
- Inner ball race made of machined and hardened steel.
- Felt sealing system (except for SPS 12 and 15).

ARTICLE	TYPE	VERSION	DIMENSIONS						LOADING CAPACITY (Kg)		W. (Kg)
			dw	D	D1	h	H	b			
SPS01200B	SPS 12 B	Body made of pressed and zinc plated metal sheet, inner ball race made of hardened steel, balls made of AISI 52100 chrome steel	12	22 ± 0,08	28	8 ± 0,2	17,2	3	15	15	0,030
SPS01500B	SPS 15 B		15	24 ± 0,08	31	9,5 ± 0,2	21	3	50	35	0,037
SPS02200B	SPS 22 B		22	36 ± 0,08	45	9,8 ± 0,2	29,5	3,5	120	80	0,130
SPS02500B	SPS 25 B		25	38 ± 0,08	45	14 ± 0,3	30,5	3,5	120	80	0,130
SPS03000B	SPS 30 B		30	45 ± 0,1	55	13,8 ± 0,3	36,8	4	250	170	0,265
SPS04500B	SPS 45 B	45	62 ± 0,15	75	19 ± 0,4	53,5	6	420	300	0,655	
SPS01500C	SPS 15 C	Body made of pressed and zinc plated metal sheet, inner ball race made of hardened steel, balls made of AISI 420C stainless steel	15	24 ± 0,08	31	9,5 ± 0,2	21	3	35	25	0,037
SPS02200C	SPS 22 C		22	36 ± 0,08	45	9,8 ± 0,2	29,5	3,5	90	60	0,130
SPS02500C	SPS 25 C		25	38 ± 0,08	45	14 ± 0,3	30,5	3,5	90	60	0,130
SPS03000C	SPS 30 C		30	45 ± 0,1	55	13,8 ± 0,3	36,8	4	140	100	0,265
SPS01500SS	SPS 15 SS	Body made of pressed stainless steel sheet, inner ball race made of hardened stainless steel, balls made of AISI 420C stainless steel	15	24 ± 0,08	31	9,5 ± 0,2	21	3	35	25	0,037
SPS02200SS	SPS 22 SS		22	36 ± 0,08	45	9,8 ± 0,2	29,5	3,5	90	60	0,130
SPS02500SS	SPS 25 SS		25	38 ± 0,08	45	14 ± 0,3	30,5	3,5	90	60	0,130
SPS03000SS	SPS 30 SS		30	45 ± 0,1	55	13,8 ± 0,3	36,8	4	140	100	0,265